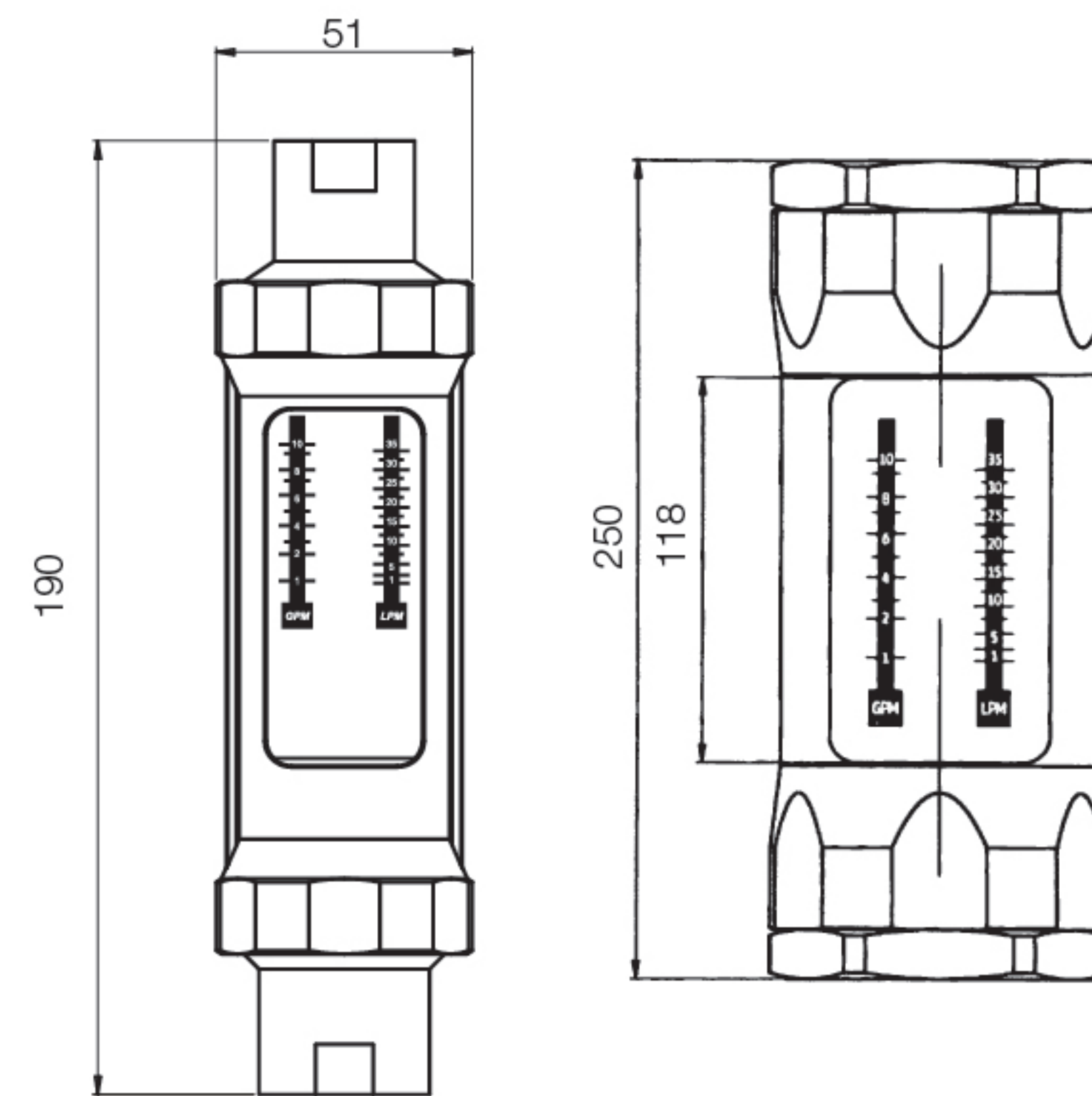


# The Series Z-6020/Z-6520 In-line Flow Monitor

Unrestricted mounting, stress-resistant aluminum alloy housing, from 1/2" - 2" Pipe



The Series Z-6020/Z-6520 In-line Flow Monitor are spring-loaded variable-area flowmeter equipped with a stress-resistant aluminum alloy housing. They can be installed and used in any direction. These instruments measure flow rate by balancing the drag force of a spring with the force exerted on a float, which is propelled by fluid flow. When fluid passes through a tapered tube, the float experiences a thrust due to the fluid's kinetic energy, while the spring provides an opposing resistance. As the flow rate increases, the float moves further, expanding the annular passage area. Ultimately, the float stabilizes at a position where the spring force balances the hydrodynamic force, directly indicating the flow rate via its position.

## FEATURES

- Installable in any direction
- Equipped with a stress-resistant aluminum alloy housing
- Measurement unaffected by gravity
- Ideal for applications with vibration
- Low pressure loss, high reliability
- Wide fluid compatibility
- Installation requires no upstream or downstream straight pipeline
- Ready to use upon installation, convenient operation

## APPLICATIONS

- Petrochemical Industry
- Metallurgical Industry
- Textile Industry
- Pharmaceutical Industry
- Semiconductor Industry
- Food and Beverage Industry
- Paper and Pulp
- Power Plants
- Urban Water Supply and Drainage
- Environmental Protection
- New Energy Industry
- Shipbuilding Industry

## SPECIFICATIONS

<b>Service</b>	Liquid
<b>Wetted Material</b>	Body: PSU; Connection: 304 Stainless Steel
<b>Protection Housing</b>	Aluminum Alloy
<b>Accuracy</b>	±6%
<b>Temperature Rating</b>	0°C to 100°C
<b>Pressure Rating</b>	Less than 1.6MPa
<b>Connection Method</b>	FNPT options available depending on model: 1/2", 3/4", 1", 1-1/4", 1-1/2", 2"

## MODEL CHART

Example	Z-60	21	-M3	
<b>Series</b>	Z-6020			In-line Flow Monitor
<b>Scale Range</b>		21		Dual scale range: 0.5-5 GPM/2-20 LPM; Weight 0.4 kg
		22		Dual scale range: 1-7 GPM/3-25 LPM; Weight 0.4 kg
		23		Dual scale range: 1-10 GPM/4-35 LPM; Weight 0.4 kg
		24		Dual scale range: 1-16 GPM/5-60 LPM; Weight 0.4 kg
		25		Dual scale range: 3-20 GPM/10-70 LPM; Weight 0.4 kg
		26		Dual scale range: 4-28 GPM/10-100 LPM; Weight 0.4 kg
<b>Process Connection</b>			F1	1" FNPT (for scale ranges 25, 26 only)
			F2	1/2" FNPT (for Scale Range 21, 22, 23, 24 only)
			F3	3/4" FNPT (for Scale Range 25, 26 only)
			M3	3/4" MNPT (for Scale Range 21, 22, 23, 24 only)
			M1	1" MNPT (for Scale Range 25, 26 only)

## MODEL CHART

Example	Z-60	21	-1	
<b>Series</b>	Z-6520			In-line Flow Monitor
<b>Scale Range</b>		21		Dual scale range: 3 GPM - 25 GPM / 12 LPM - 90 LPM
		22		Dual scale range: 5 GPM - 50 GPM / 20 LPM - 200 LPM
		23		Dual scale range: 8 GPM - 80 GPM / 30LPM - 300 LPM
		24		Dual scale range: 10 GPM - 100 GPM / 40 LPM - 400 LPM
<b>Process Connection</b>			1	NPT: 1-1/4" Female thread
			2	NPT: 1-1/2" Female thread
			3	NPT: 2" Female thread